


TOUCHLESS ONBOARD TOILET 3GV - VACUUM



PETECH®

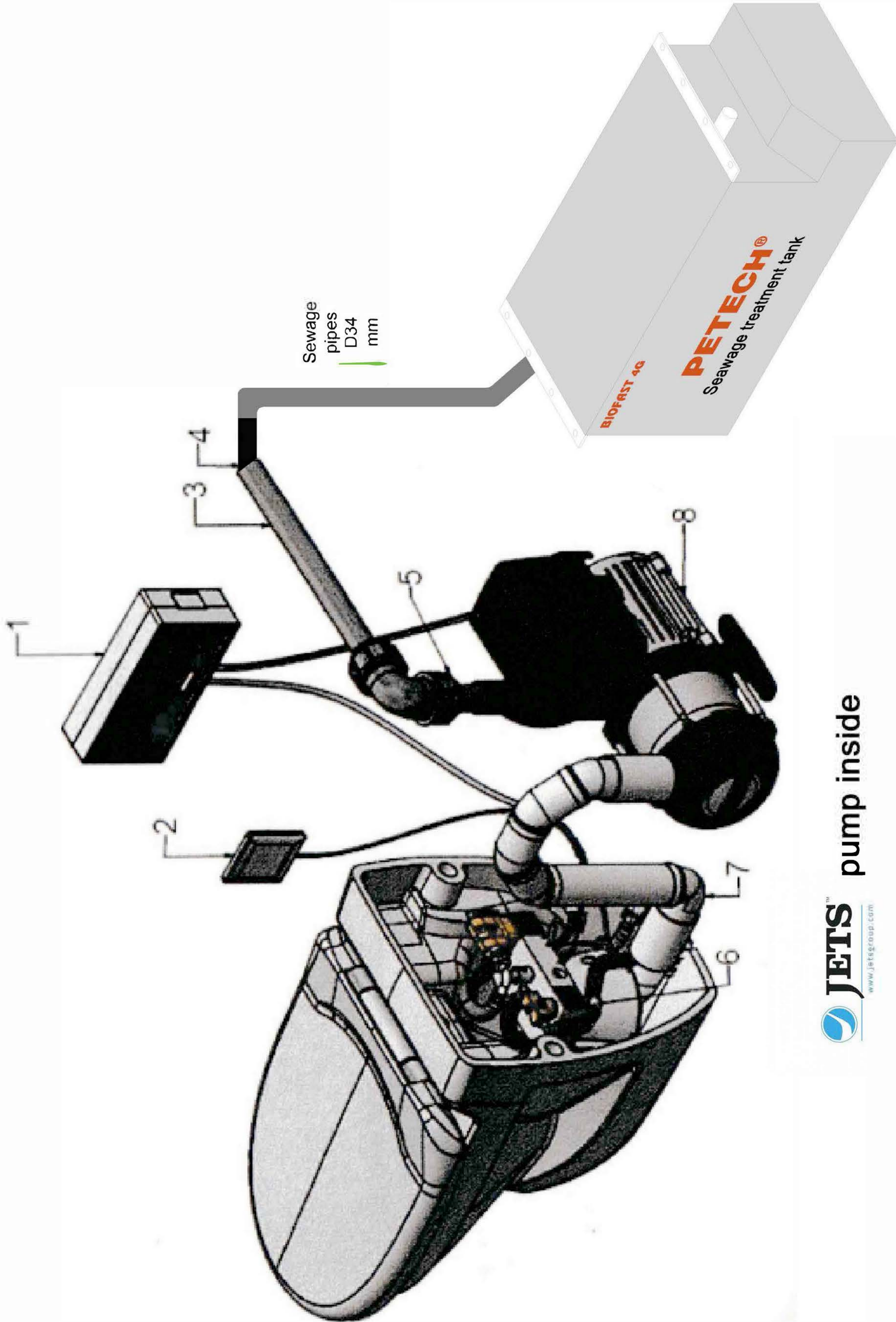
 **AMERONT**

DESIGNED
IN CALIFORNIA-USA
BY **AMERONT** INC

MANUFACTURED
EXCLUSIVELY
BY **PETECH®** CORP

TOUCHLESS ONBOARD TOILET 3GV - VACUUM

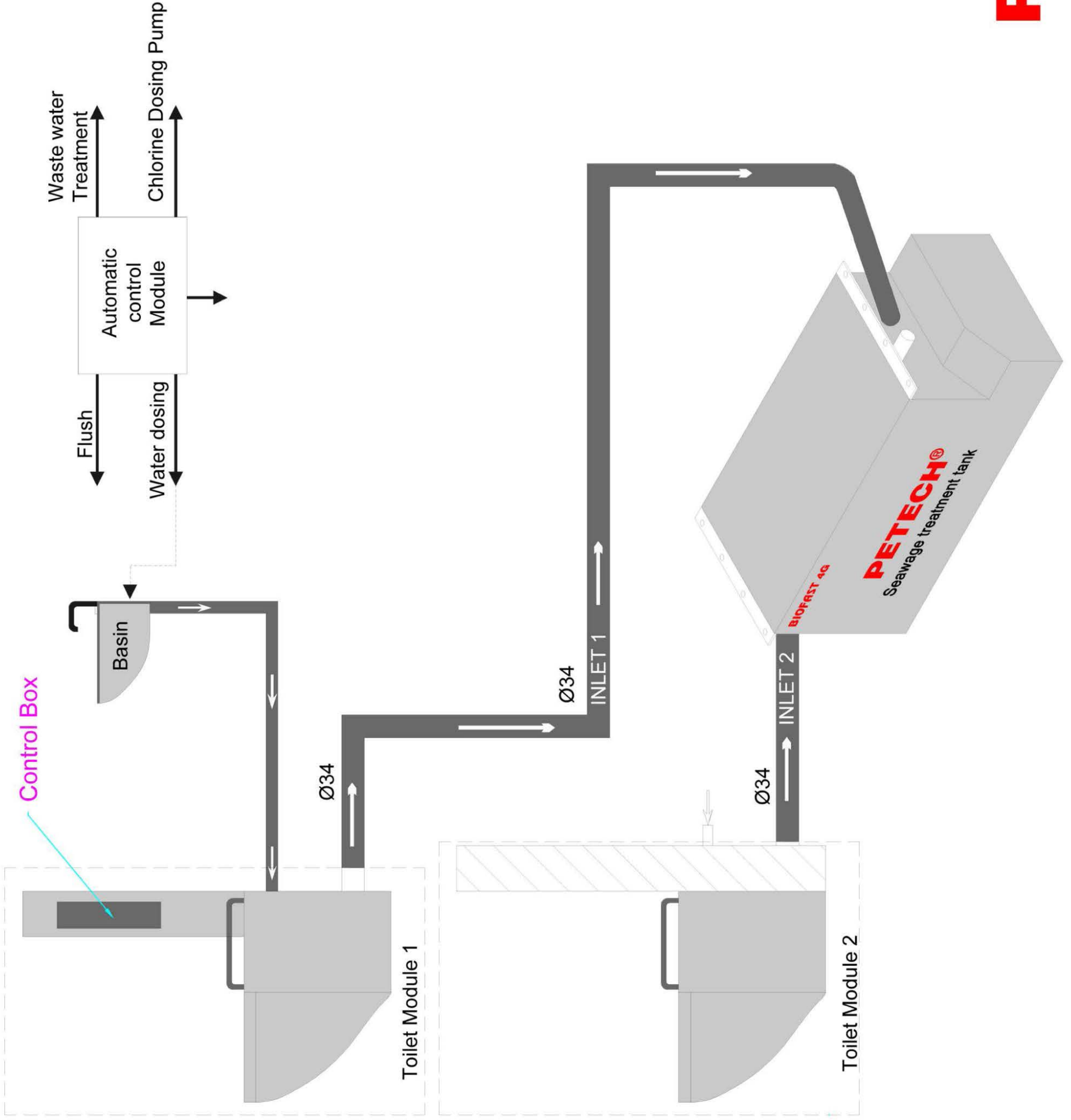




JETS™ pump inside
www.jetsgroup.com

PETECH®
Oct. 2017

BIOFAST-3GV TOILET SYSTEM



3GV Technical specification**Dimensions**

Toilet module	W360 x L550 x H500 (mm)
---------------	-------------------------

Material

Bowl	Ceramic, Titanium Dioxide coated (or options)
------	---

Operation

Water consumption	0.5 Liter to 1.0 Liter/flush
-------------------	------------------------------

Duty circle	≤ 6s
-------------	------

Input waste	Human waste, paper, non-acid liquid
-------------	-------------------------------------

Connectivity

Basin Inlet Piping	Connector D21 (mm)
--------------------	--------------------

Sewage Outlet Piping	Connector D34 (mm)
----------------------	--------------------

Control panel

Touchless function	1 Flushing sensor, always ON
--------------------	------------------------------

Detect	Hand movement
--------	---------------

Disinfectant (PETECH Corporation's Invention)

Bowl	UVa Germicidal LED (for Dioxid Titan Coated) / UVe Germicidal LED (for Teflon Coated)
------	---

Power

Input	200VAC ÷ 240VAC/50Hz, 1φ Or 100VAC ÷ 127VAC/60Hz, 1φ (Option)
-------	--

Standby	20 Watts (24/24h)
---------	-------------------

Consumption	1000 Watts ; Flushing & Grinder pump operation
-------------	--

Standard

Quality	FCC ; UL (USA); CE (Europe)
---------	-----------------------------

Ordering information

Model	Description	Series
3GV	Onboard Toilet	BIOFAST™

Accessories

C200	 JETS™ Vacumm (Made in Norway)
PA18CAD10	CARLO GAVAZZI (Italy)

Customize

Duty circle	Duration from 4s - max 8s
-------------	---------------------------

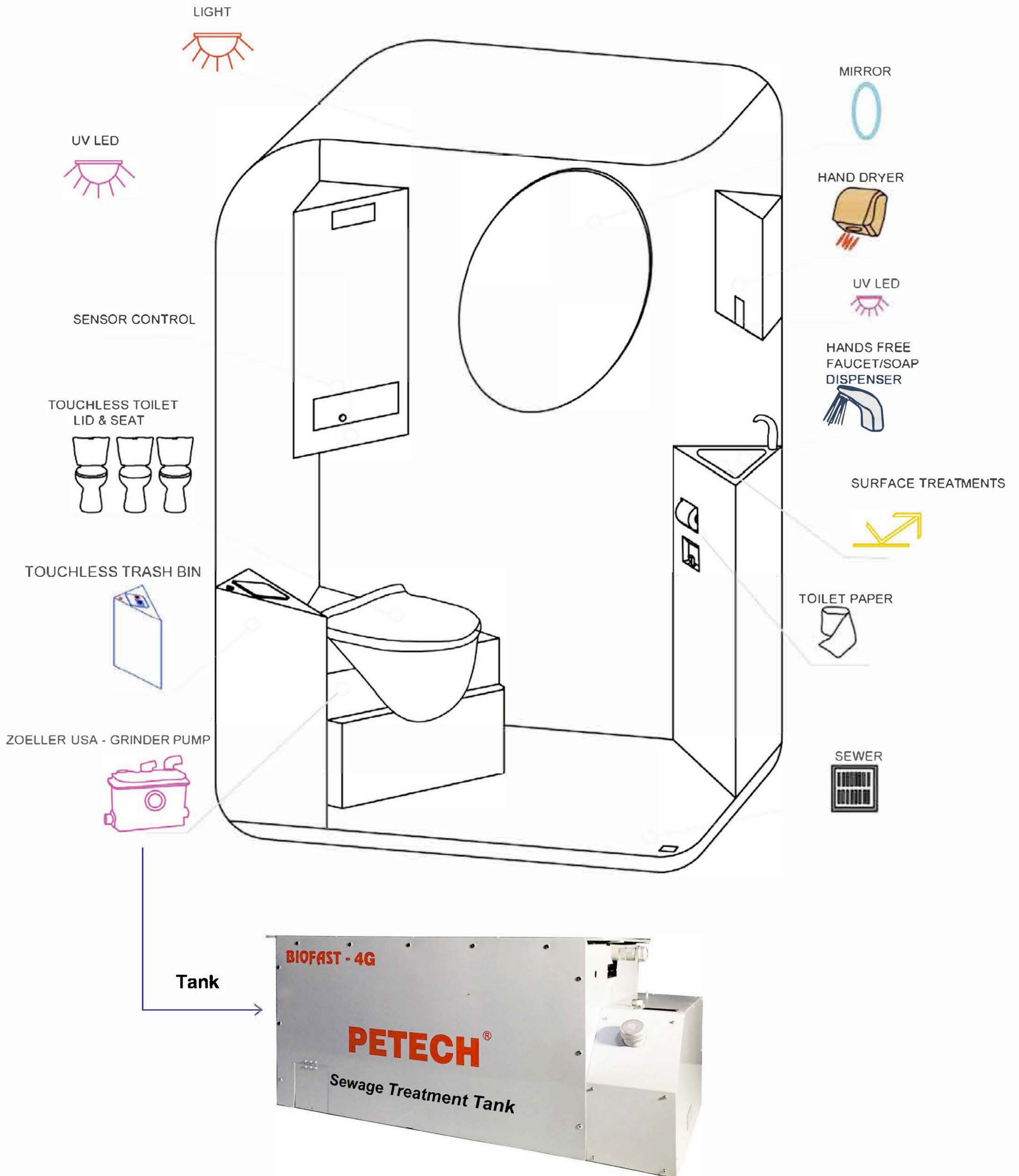
Bowl	Titanium dioxide coated /Teflon coated or Ceramic
------	---

Power	Local standard
-------	----------------

How to order

Email	: info@petechcorp.com : hanphan@petechcorp.com
-------	---

COMPLETE MODULE OF TOUCHLESS TOILET ON-BOARD SYSTEM





PETECH -



AMERONT

ONBOARD TOILET MANUFACTURER



BIOFAST 4GN Onboard Toilet - Grinder
 USA inside



BIOFAST 3GV Onboard Toilet - Vacuum
 Norway inside



BIOFAST 4G Sewage Treatment Tank

- Products can be customized upon requirements
- Designed in California-USA, assembled in Vietnam
- High-efficiency and Durability have been proven with more than 1200 units installed on Vietnam Railway.
- Fast and easy maintenance process
- USA pumps and Norway pumps inside

PETECH Corporation

Address: 146 Thanh Thai Street, Ward 12 District 10, Ho Chi Minh City, Vietnam

Phone: +84 283 862 3668 (VN)

+84 283 862 3664 (EN)

Email: info@petechcorp.com

www.petechcorp.com

Go

PETECH®

Add: 146 Thanh Thai Street, Ward 12
District 10, Ho Chi Minh City, Vietnam
Phone: (+84) 28 3862 3668 - 28 3862 3664
Website: www.petechcorp.com
Email: info@petechcorp.com



AMERONT

Add: 200 Spectrum Center Drive #4092
Irvine - California
Phone: (+01) 405 505-0026
Website: www.ameront.com
Email: info@ameront.com

